

Basic set for floor-standing bath or basin mixer

Finish: Art. no. : **10452180**



Description

product features

- for mounting on unfinished floor
- suitable for single lever manual bath mixer, single lever basin tap and bath spout floorstanding
- installation depth: from 80 to 160 mm
- minimum mounting depth: 53 mm
- maximum mounting depth: 133 mm
- WRAS 240704008

Article Details

Price excl. VAT

£ 487.50

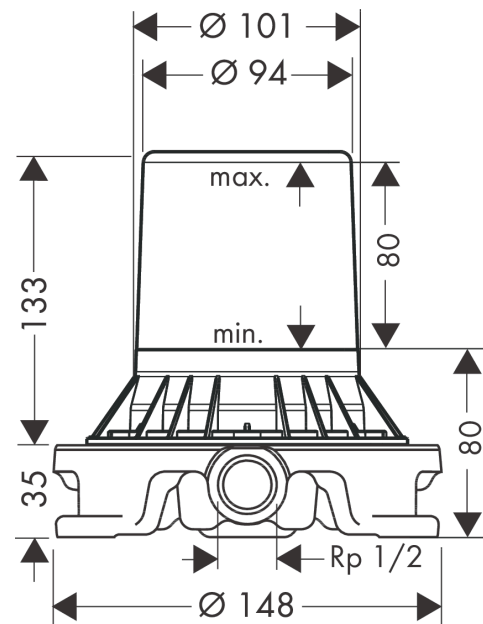
Certificates / Sustainability



Product image



Scale drawing

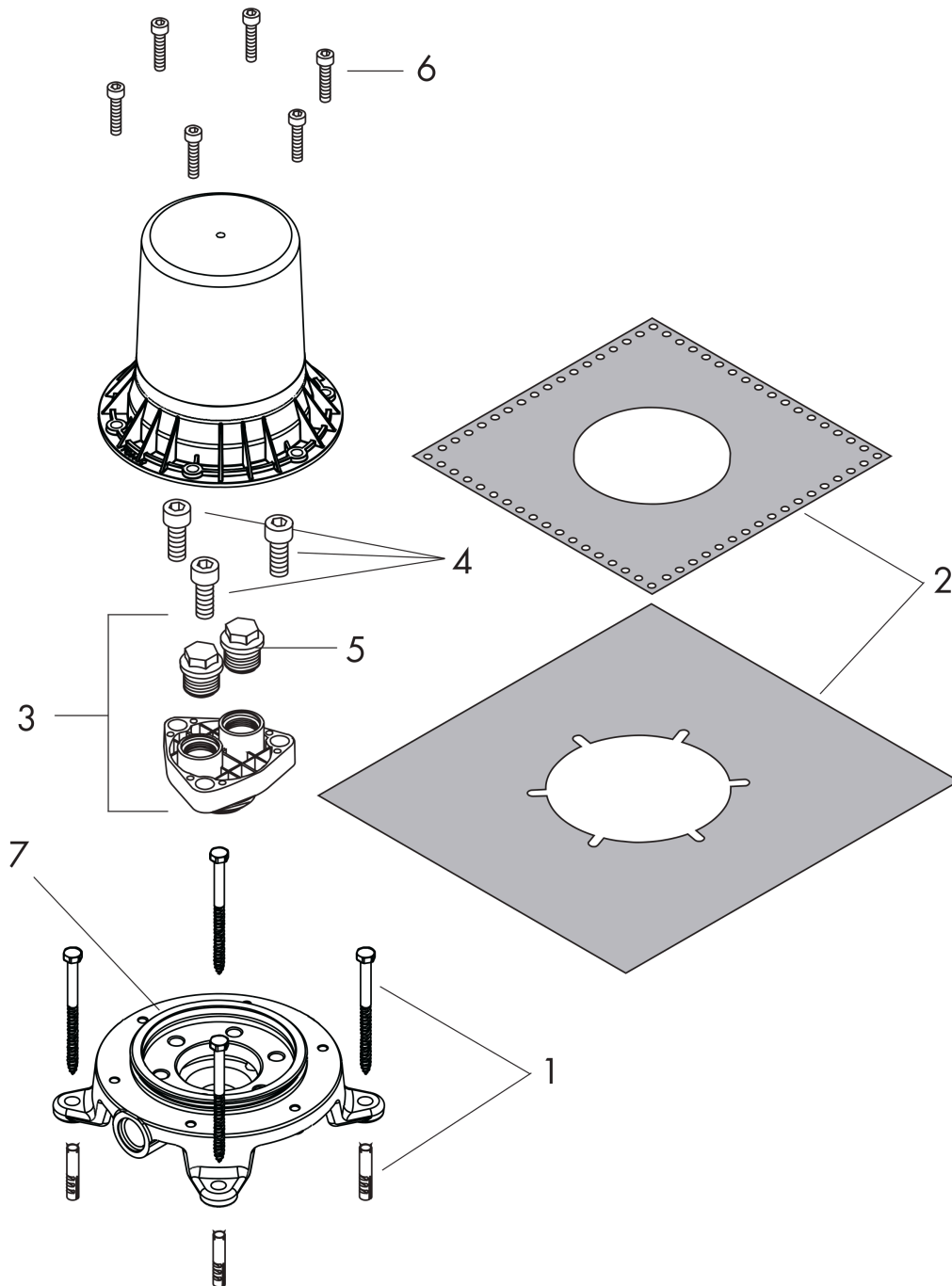


Basic set for floor-standing bath or basin mixer
 Finish: Art. no. : 10452180



Exploded Drawing

Year of production: >01/07



Basic set for floor-standing bath or basin mixer

Finish: Art. no. : **10452180**



Spare part list

Year of production: >01/07

Pos.	Description	Art. no.	Price	PU
1	mounting kit	96260000	£ 44.00	1
2	sealing foil	96441000	£ 176.00	1
3	flushing unit complete	96459000	£ 44.00	1
4	hexagon socket screw M10x35	97670000	£ 16.40	1
5	O-ring 15x2,5	98131000	£ 3.30	1
6	hexagon socket screw M6x16	92857000	£ 3.30	1
7	O-ring 99x3,5	92154000	£ 9.20	1