

Technical Data Sheet | Designer Towel Rails

Dual 1200 x 500mm Towel Rail (Heating Only) DU12050CP



Specification

Finish	Chrome/White
Dimensions	1200(h) x 500(w) x 104(d) mm
Weight	15.6kg
BTU Output/Hr	2900
Watts @ Δ T50°C	850
Bars	25
Pipe Centres	455mm
Electric Element Wattage	-
Face to Face Connections	-
Radiator Columns	-
Material	Mild Steel

All heat outputs are shown at 50°C Δ t in compliance with BSEN442. Watts and Btu's apply to Heating and Dual Fuel only.

Key Features + Benefits



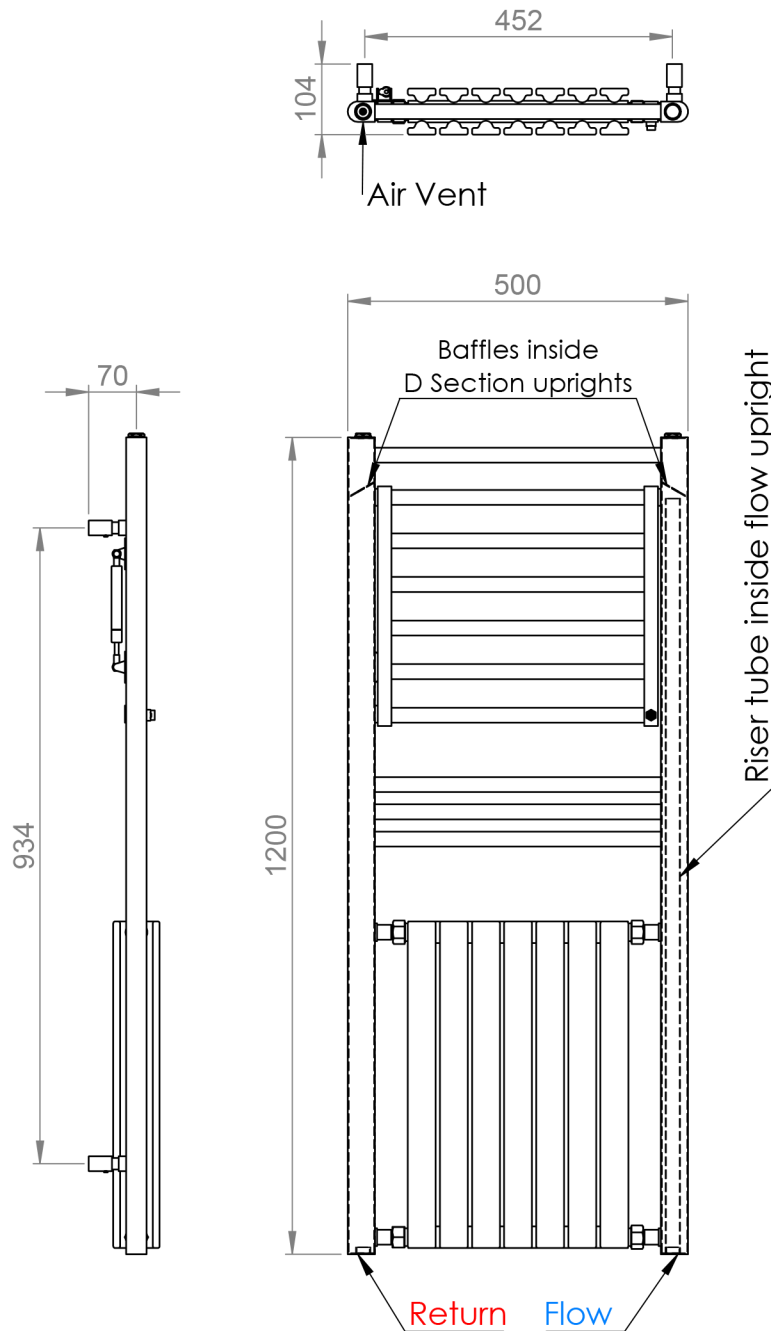
Vogue (UK) Ltd
Strawberry Lane, Willenhall, West Midlands, WV13 3RS. Technical Support – Tel: +44(0) 1902 387000 Email: sales@vogueuk.co.uk

All information on the data sheet is correct at the time of publication. All measurements are approximate and subject to standard tolerances.

Certifications + Approvals

Technical Data Sheet | Designer Towel Rails

Dual 1200 x 500mm Towel Rail (Heating Only) DU12050CP



*Dual energy models require a conversion-tee, consult relevant drawing for details.

Vogue (UK) Ltd
Strawberry Lane, Willenhall, West Midlands, WV13 3RS. Technical Support – Tel: +44(0) 1902 387000 Email: sales@vogueuk.co.uk

All information on the data sheet is correct at the time of publication. All measurements are approximate and subject to standard tolerances.