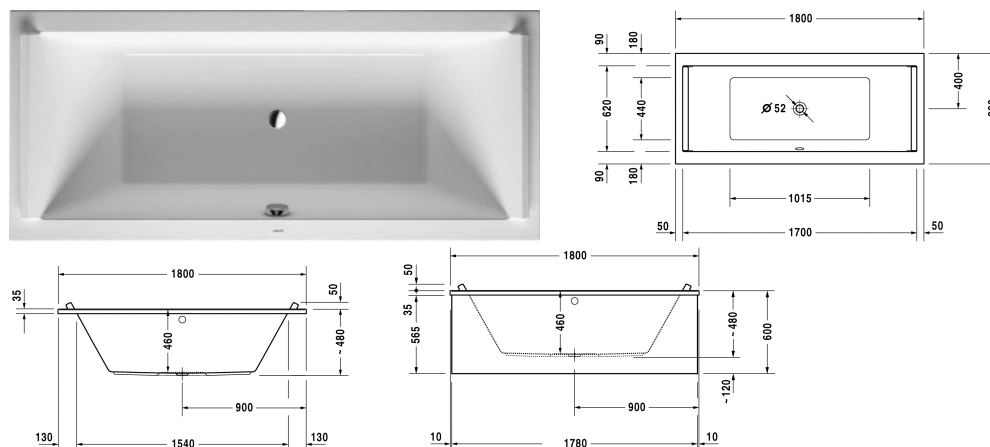


**Bathtub with support feet (for standard installation) # 70034900000000**

|< 1800 mm >|



Bathtub with support feet (for standard installation)	Dimension	Weight	Order number
rectangle, built-in or for panel, sanitary acrylic , Filling capacity 174 l , water level 370 mm			
<b>Colors</b>			
00 White Alpin			
<b>Variant</b>			
Basic model	1800 x 800 mm	33.700 kg	70034900000000
<b>Infobox</b>			
Please order the bathtub without support frame, if you like to combine the tub with support or with LED coloured light # 790840			
<b>Suitable setting</b>			
LED coloured light with remote control for bathtubs, (white -00, chrome -10)			790840
<b>Suitable panels</b>			
Furniture panel for niche, for # 7X0050 (1800 x 900 mm), for # 7X0052 (1800 x 900 mm), for # 7X0338 (1800 x 800 mm), for # 7X0339 (1800 x 900 mm), for # 700350 (1800 x 900 mm), for # 700055 (1800 x 900 mm), for # 700056 (1800 x 900 mm), for # 700349 (1800 x 800 mm)	1790 mm		ST8939
Furniture panel for back-to-wall version, for # 7X0338 (1800 x 800 mm), for # 700349 (1800 x 800 mm)	1780 x 790 mm		ST8778
Furniture panel for corner right, for # 7X0338 (1800 x 800 mm), for # 700349 (1800 x 800 mm)	1790 x 790 mm		ST8783
Furniture panel for corner left, for # 7X0338 (1800 x 800 mm), for # 700349 (1800 x 800 mm)	1790 x 790 mm		ST8788

**Bathtub with support feet (for standard installation) #  
70034900000000**

|&lt; 1800 mm &gt;|

Suitable products	
Bathtub anchors for mounting and support of bathtubs and shower trays, 3 pieces,	790103
Rubber profile for noise reduction, length: 3300 mm,	790126
Acrylic panel front, for Starck bath- and whirltubs, for Starck Bathtubs, 1800 mm,	701068
Acrylic panel side, for Starck bath- and whirltubs, for Starck Bathtubs, 800 mm,	701073
Waste and overflow Quadroval chrome, for bathtubs with central outlet, outlet diameter 52 mm, length of bowden cable 650 mm,	790289
Waste and overflow Quadroval with water inlet, chrome, *, for bathtubs with central outlet, outlet diameter 52 mm, length of bowden cable 650 mm,	790290
Headrest for Starck, material: polyurethane, white,	790010
Tub cover, 2 pcs. 800 x 395 mm, for Starck # 700338 /349,	791865
Tub cover with cut-out for hand shower tube, 2 pcs. 800 x 395 mm, for Starck # 700338 /349,	791866
Waste and overflow Quadroval with base inlet, chrome, for bathtubs, **, outlet diameter 52 mm, length of bowden cable 1070 mm,	791226
Noise reduction set for acrylic bathtubs ****, Contents: noise reduction bathtub anchors, bitumen pads, rubber profile # 790126,	791368
Waste and overflow Quadroval chrome, for bathtubs with central outlet, outlet diameter 52 mm, length of bowden cable 650 mm,	792202
Waste and overflow Quadroval with water inlet, chrome, *, for bathtubs with central outlet, outlet diameter 52 mm, length of bowden cable 650 mm,	792203

*All drawings contain the necessary measurements which are subject to standard tolerances. Exact measurements, in particular for customised installation scenarios, can only be taken from the finished ceramic piece.*