

# INSTINCT®

shower valves - Edge Thermostatic Shower valve and kit



## Introduction

The Instinct Edge has been designed to give you the best of both worlds. The Instinct collection offers the ultimate balance between excellent performance and the latest designs to suite every bathroom.

- Suitable for use with unvented supplies, combi boilers, gravity and mains pressure systems
- Thermostatic Control
- Safe-touch Body
- Anti-Scald Technology
- Fast Fix Brackets

## Product Range

Description	Code
Edge safe touch thermostatic single outlet shower with flexible slide rail kit and fast fix brackets	IN30015CP



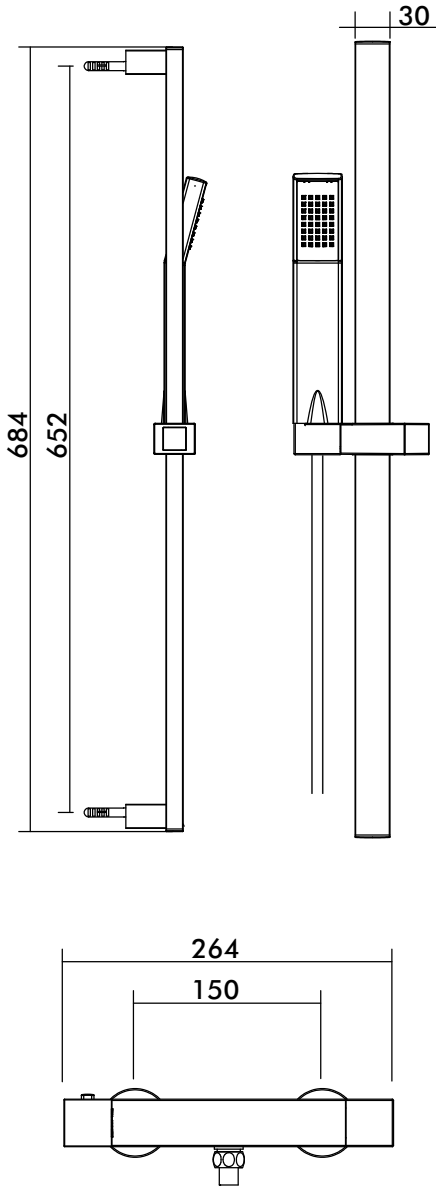
- Includes fast fix brackets



INSTINCT®

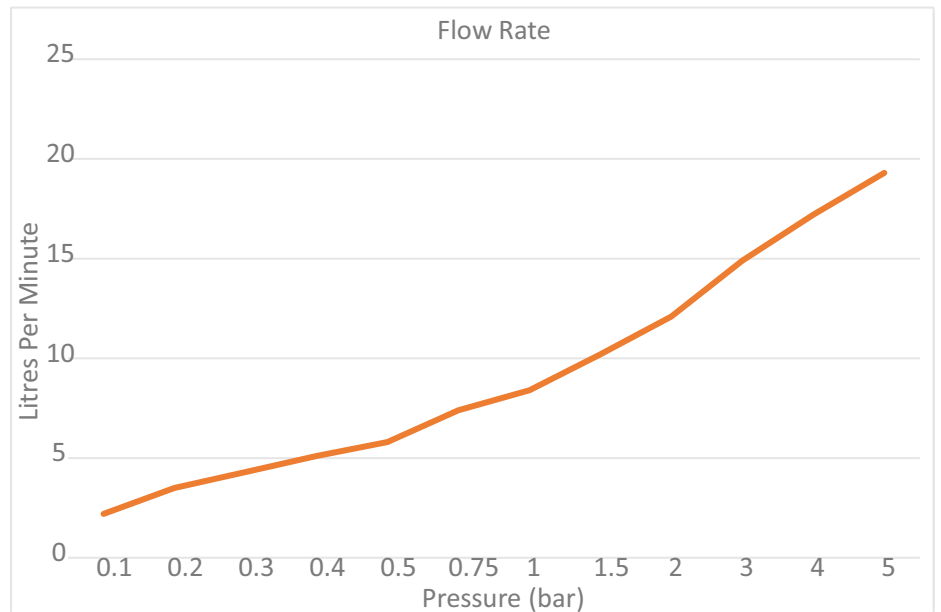
# INSTINCT®

shower valves - Edge Thermostatic Shower valve and kit



## Technical Specification

Max Inlet Pressure static	5 Bar
Min Inlet Pressure dynamic	0.2 Bar
Max Inlet Temperature	85°C
Factory Pre-set Temperature	38°C with temp stop
Inlet Connections (Fast Fix)	15mm compression
Outlet Connections	G ½" BSP (bottom)
Min Temperature differential to achieve hot or cold failsafe	15°C
System Installation	Unvented, Pressurised, Gravity and Combination Boilers



INSTINCT®

E&OE  
09/2016

INTATEC AIRFIELD INDUSTRIAL ESTATE, HIXON, STAFFORD, ST18 0PF  
T. 01889 272180 F. 01889 272181 E. SALES@INTATEC.CO.UK  
WWW.INTATEC.CO.UK