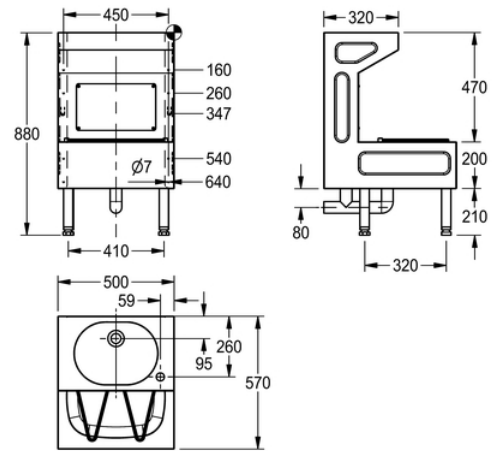


# JANITORIAL UNIT: G20050N

G20050N | 2000100145

ARTICLE GROUP : **G20050N** | ARTICLE FAMILY : **Cleaners sink** | PRODUCT GROUP : **Utility sinks** | MODEL RANGE : **SIRIUS**



Floor standing janitorial unit manufactured from grade 1.4301 (304) stainless steel, 1.2mm material thickness throughout except for lower bowl which is 0.9mm. Supplied complete with monobloc mixer, 32mm flush grated waste (for top wash bowl) and 38mm domed waste outlet(for lower bowl). The janitorial unit can be fixed with 4 legs for floor standing or part wall hung/floor standing by using only two of the front legs or alternatively can be fitted as a wall hung unit by using the joggle strip provided.

WRAS Approved

## TECHNICAL DATA

.....	.....
bowl - bowl depth	180.00 mm
.....	.....
bowl - depth	360.00 mm
.....	.....
bowl - width	420.00 mm
.....	.....
grid	fixed
.....	.....
grid material	stainless steel
.....	.....
gross weight	19.50 kg
.....	.....
material	stainless steel
.....	.....
material code	1.4301 Chrome Nickel steel V2A
.....	.....
material thickness	1.20 mm
.....	.....
net weight	18.00 kg
.....	.....
overall depth	570.00 mm
.....	.....
overall height	880.00 mm
.....	.....
overall width	500.00 mm
.....	.....
rear upstand	no
.....	.....
splash back	no
.....	.....
surface finish	satin finished
.....	.....
tap ledge	yes
.....	.....
type of mounting	wall mounting
.....	.....
waste hole position	centre back
.....	.....
waste size	DN 40
.....	.....