

## Crometta

**Shower holder set 100 1jet with shower hose 160 cm**

Surfaces: **white/chrome** Art. no. : **26567400**



### Description

#### product features

- Consists of: hand shower, shower holder, shower hose
- Shower head size: 100 mm
- Spray pattern: Rain
- Maximum flow rate (at 3 bar): 14 l/min
- pivot connector prevent hose from tangling
- Shower holder of plastic
- Noise class: I

### Article Details

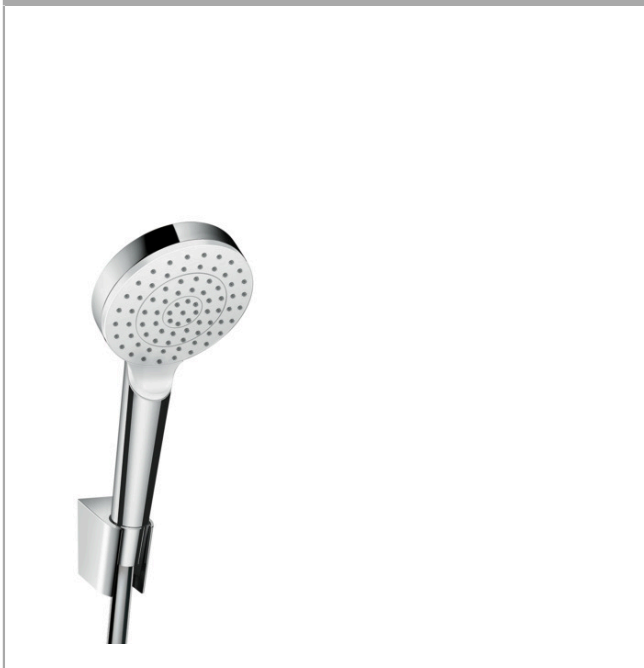
Price excl. VAT

£ 36.93

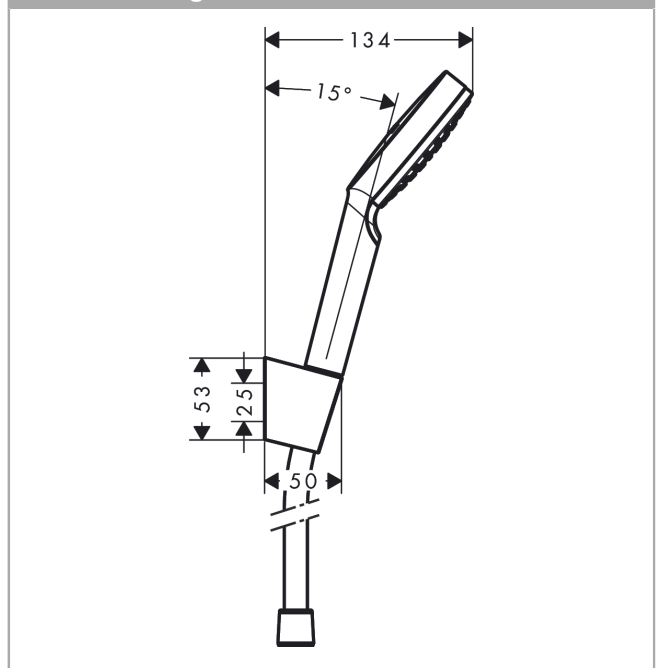
### Technology



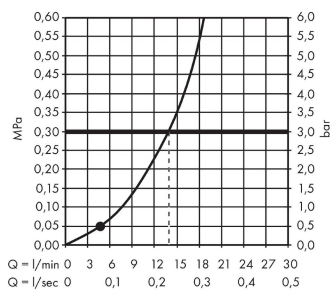
### Product image



### Scale drawing



### Flowchart



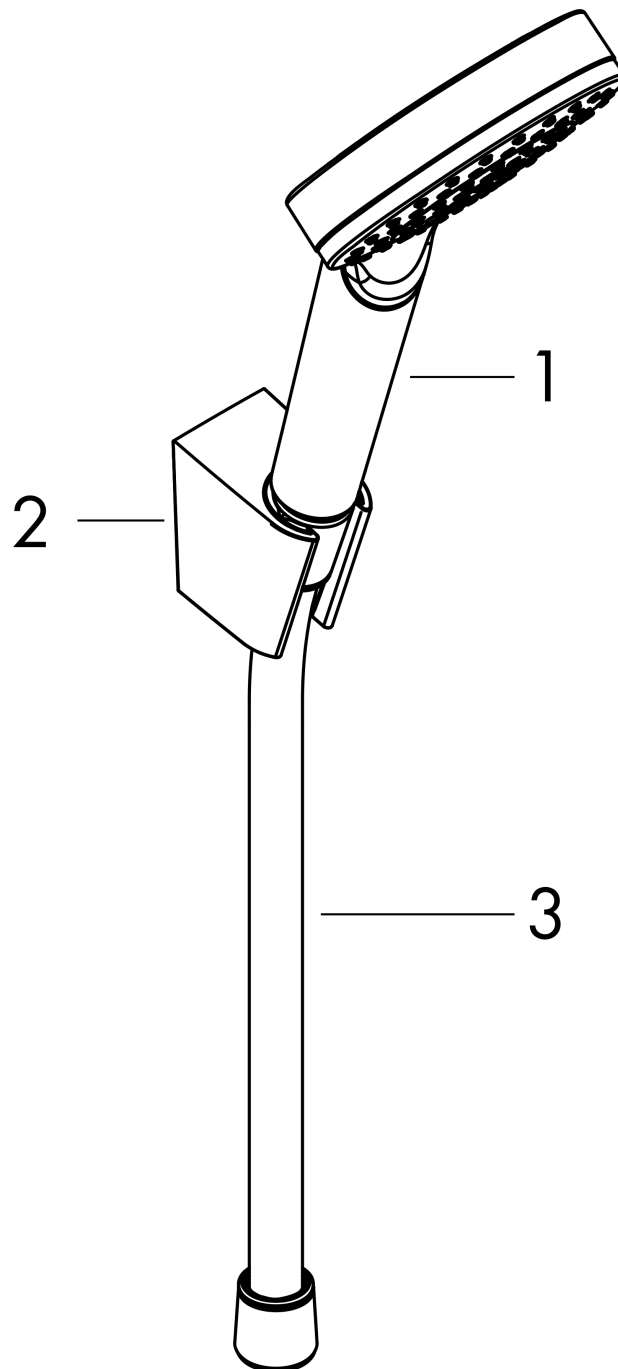
The consumption was measured in combination with the appropriate fittings (thermostat/mixer/ in-wall valve) to reflect actual application in practice.

**Crometta**  
**Shower holder set 100 1jet with shower hose 160 cm**  
 Surfaces: **white/chrome** Art. no. : **26567400**



**Exploded Drawing**

Year of production: >04/16



**Crometta**

**Shower holder set 100 1jet with shower hose 160 cm**

Surfaces: **white/chrome** Art. no. : **26567400**



**Spare part list**

Year of production: >04/16

| Pos. | Description        | Art. no. | Price | PU |
|------|--------------------|----------|-------|----|
| 1    | handshower         | 26331400 | -     | 1  |
| 2    | shower holder      | 28331000 | -     | 1  |
| 3    | shower hose 1,60 m | 28168000 | -     | 1  |