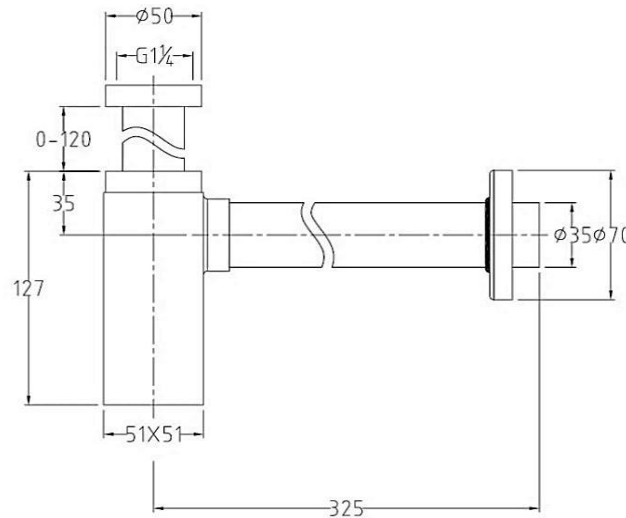


## INS-INB5003BLK Square Bottle Trap

<b>Barcode</b>	
<b>Product Code</b>	<b>INS-INB5003BLK</b>
<b>Construction</b>	Brass & Zinc Alloy
<b>Finishes</b>	Matt Black
<b>Product Type</b>	Contemporary
<b>Water Pressure</b>	-
<b>Plumbing Systems</b>	Suitable for all plumbing systems
<b>Standards</b>	-
<b>Certification</b>	-
<b>Size</b>	320 mm
<b>Fitting</b>	Ø35mm
<b>Packaging</b>	52 x 33.5 x 45.5cm / carton (24 boxes / carton)
<b>Guarantee</b>	1 years against manufacturing faults (excluding serviceable parts).

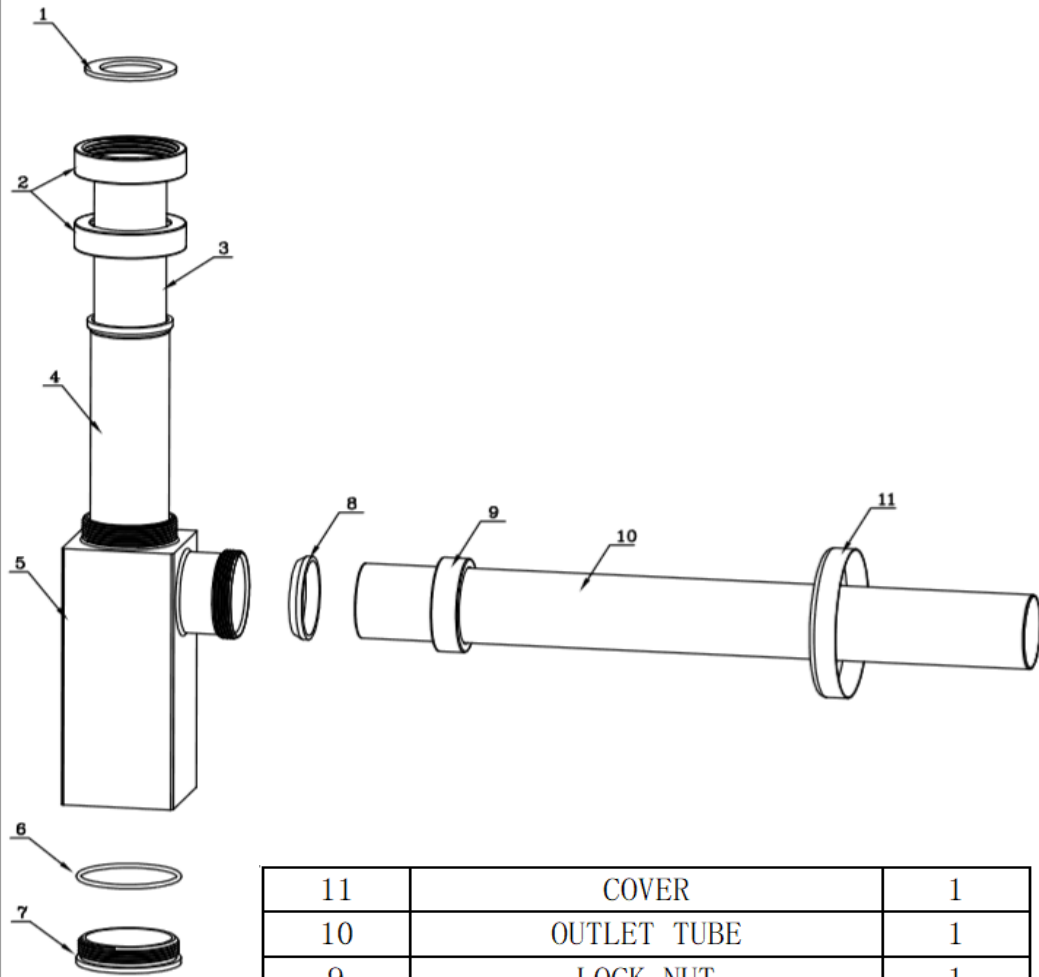


### Flow Rates (Litres per minute)

System Pressure	0.1 Bar	0.2 Bar	0.3 Bar	0.5 Bar	1.0 Bar	1.5 Bar	2.0 Bar	3.0 Bar	4.0 Bar	5.0 Bar
<b>INS-INB5003BLK</b>	-	-	-	-	-	-	-	-	-	-

The information contained on this page was correct at date of issue. Fitting dimensions are provided as a guide only. Some variation may occur due to manufacturing tolerances. We pursue a policy of continuing improvement in design and performance of our products and so reserve the right to change specifications without prior notice.

### INS-INB5003BLK Square Bottle Trap



11	COVER	1
10	OUTLET TUBE	1
9	LOCK NUT	1
8	WASHER	1
7	COVER CAP	1
6	WASHER	1
5	CONNECTOR	1
4	PLASTIC TUBE	1
3	STAINLESS STEEL TUBE	1
2	LOCK NUT	2
1	WASHER	1
No.	DESCRIPTION	QTY

Alfred Victoria Exploded Drawings			Material:	Assembly	Size:	A4
(Date:D/M/Y)			Scale:	None	Issue No:	01
Drawn by:	Sherman	16/05/2016	<h1>INSTINCT®</h1> <p>Issue - Version 1: August 2019</p>			
Checked by:	Lee	16/05/2016				
Approved by:	T. K.	16/05/2016				
Drawing Name:						