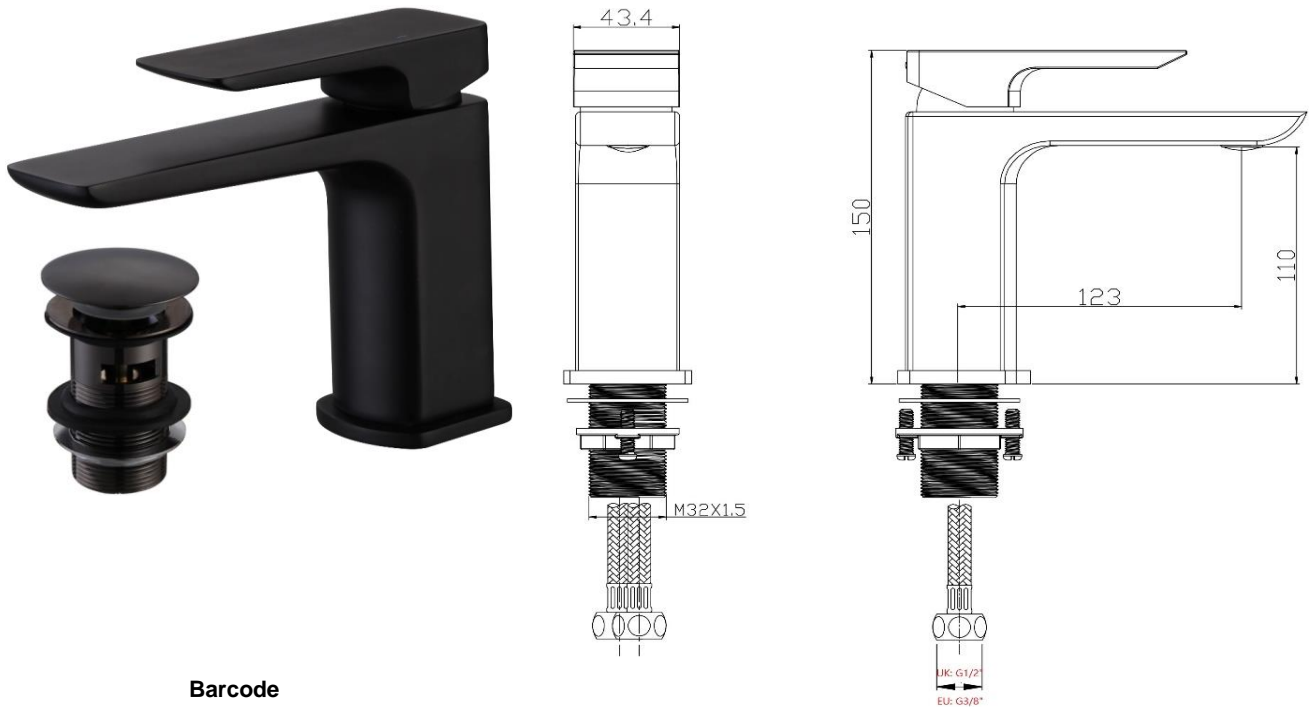
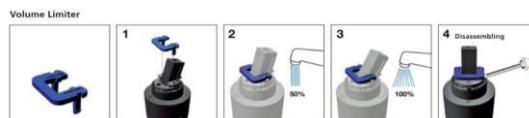


## INS-SH1005BLK Shauna Basin Mono Mixer (inc. Sprung Waste)



<b>Barcode</b>	
<b>Product Code</b>	<b>INS-SH1005BLK</b>
<b>Construction</b>	Brass Body CuZn40Pb2, EN CW617N (equivalent to BS CZ122);Zinc alloy handle
<b>Finishes</b>	Black Matt
<b>Product Type</b>	Contemporary
<b>Water Pressure</b>	Min. 0.2 bar, Max. 6.0 bar
<b>Plumbing Systems</b>	Suitable for all plumbing systems
<b>Standards</b>	Complies with BS6920, BS EN200
<b>Certification</b>	Manufactured to comply with ACS, WRAS
<b>Cartridge</b>	35mm Triduo® Ceramic Disc Cartridge
	UK: M10 x 350mm ½" BSP Female Flexi Tails .
	EU: M10x350mm 3/8" BSP Female Flexi Tails.
<b>Fitting</b>	
<b>Aerator</b>	Neoperl Adjustable Slim Aerator
<b>Packaging</b>	46 x 38 x 34cm / carton (8 boxes / carton)
<b>Guarantee</b>	10 years against manufacturing faults (excluding serviceable parts).
<b>Additional Information</b>	Supplied with G 1¼" sprung waste(UK only); Triduo volume limiter (optional)

### Triduo volume limiter (optional)



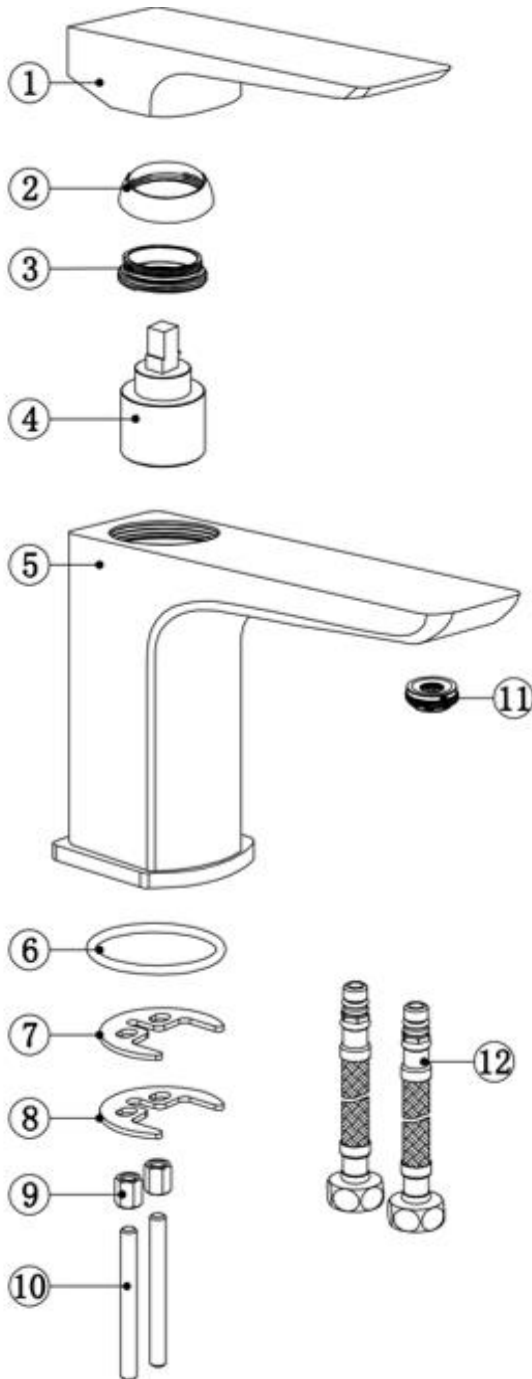
### Flow Rates (Litres per minute)

System Pressure	0.1 Bar	0.2 Bar	0.3 Bar	0.5 Bar	1.0 Bar	1.5 Bar	2.0 Bar	3.0 Bar	4.0 Bar	5.0 Bar
INS-SH1005BLK	3.6	4.8	5.8	7.3	10.3	12.6	14.5	17.8	20.5	22.9



The information contained on this page was correct at date of issue. Fitting dimensions are provided as a guide only. Some variation may occur due to manufacturing tolerances. We pursue a policy of continuing improvement in design and performance of our products and so reserve the right to change specifications without prior notice.

INS-SH1005BLK Shauna Basin Mono Mixer (inc. Sprung Waste)



Index	Description	Qty.
1	Handle	1
2	Shroud	1
3	Nut	1
4	Cartridge	1
5	Body	1
6	O-ring	2
7	Horseshoe washer	1
8	Horseshoe	1
9	Screw	1
10	Screw stem	1
11	Aerator	1
12	Flexi tails	1

Alfred Victoria Exploded Drawings			Material:	Assembly	Size:	A4
(Date:D/M/Y)			Scale:	None	Issue No:	01
Drawn by:	Sherman	16/05/2016	<h1>INSTINCT®</h1> <p>Issue - Version 1: August 2019</p>			
Checked by:	Lee	16/05/2016				
Approved by:	T. K.	16/05/2016				
Drawing Name:						