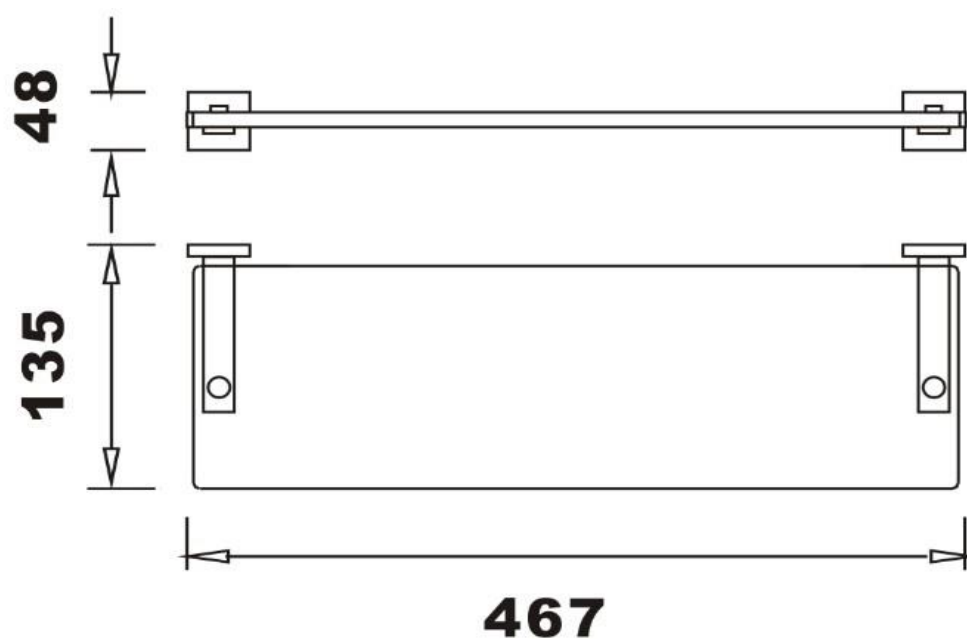
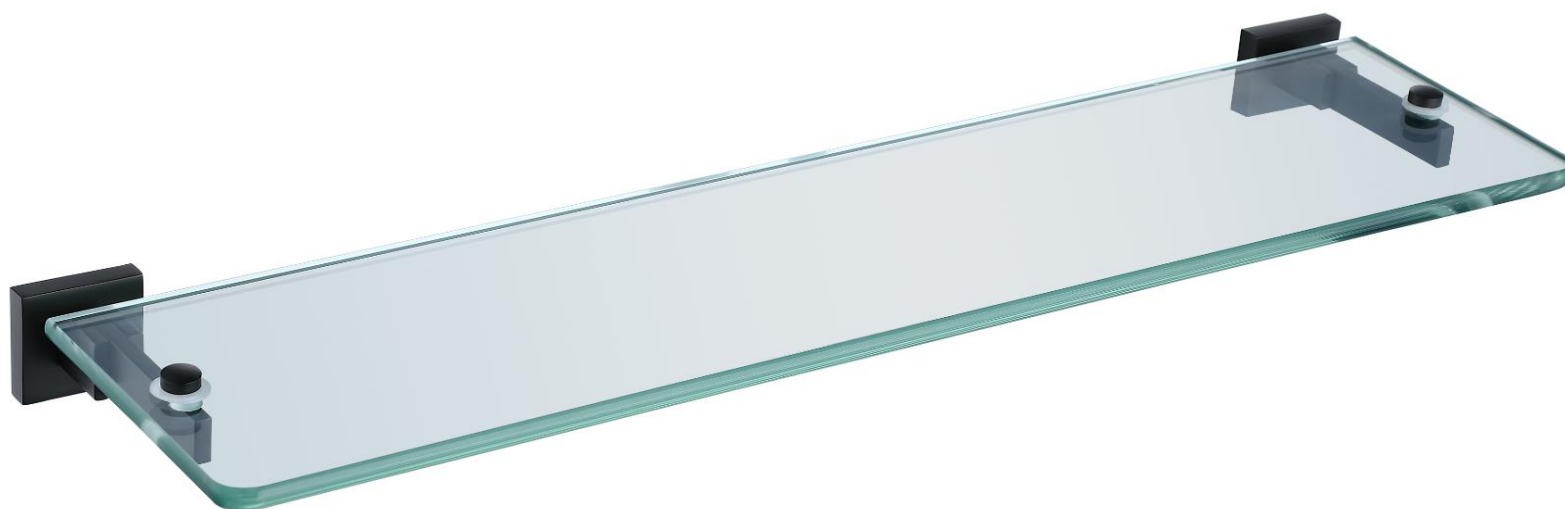


## INS-VER3042BLK Inver Glass Shelf

<b>Barcode</b>	
<b>Product Code</b>	INS-VER3042BLK
<b>Construction</b>	Brass & tempered glass
<b>Finishes</b>	Black Matt
<b>Product Type</b>	Contemporary
<b>Water Pressure</b>	-
<b>Plumbing Systems</b>	
<b>Standards</b>	Complies with BS5412, BS EN200
<b>Certification</b>	-
<b>Fitting</b>	-
<b>Packaging</b>	66.5 x 31.5 x 56cm / carton (10 boxes / carton)
<b>Guarantee</b>	1 year against manufacturing faults (excluding Ceramic or Glass parts).
<b>Additional Information</b>	-



The information contained on this page was correct at date of issue. Fitting dimensions are provided as a guide only. Some variation may occur due to manufacturing tolerances. We pursue a policy of continuing improvement in design and performance of our products and so reserve the right to change specifications without prior notice.