

# PM BAS C

## PRISM Tap Range Prism Basin Mixer with Pop-up Waste Chrome



### Features:

- Long life ceramic cartridge for added durability and ease of use
- Metal fixing nut for added durability
- Easy to use lever handle
- Pop-up waste included

### Product Certifications:



WRAS Cert. Number: 1611005  
WRAS Expiry Date: 30/11/2021



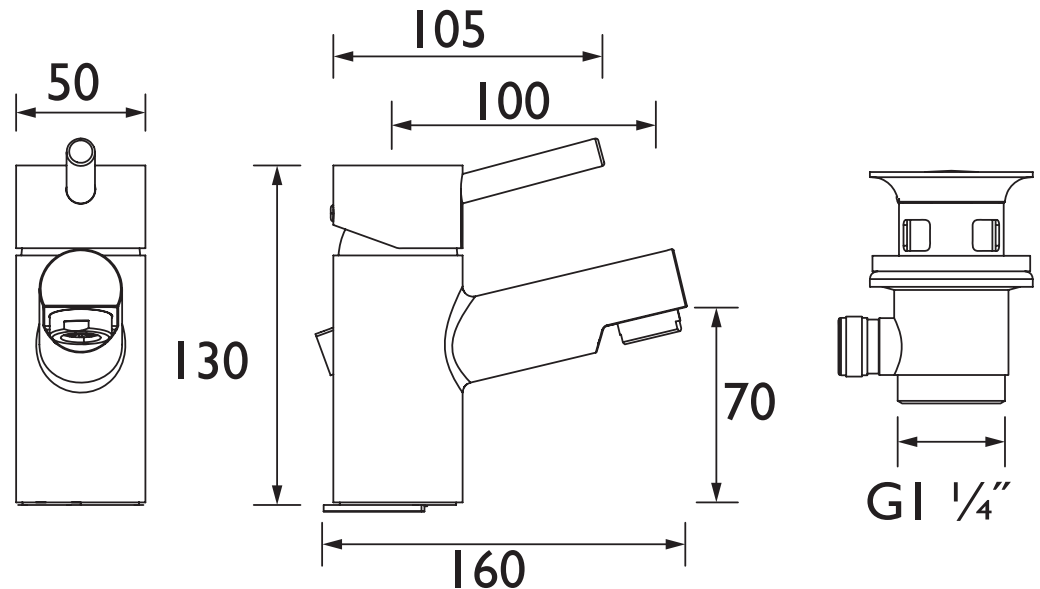
For more products, visit our website:  
<http://www.bristan.com>



### Specification

<b>Product Type:</b>	Bathroom Tap
<b>Main Construction Material:</b>	Brass
<b>Mount Type:</b>	Deck Mounted
<b>Handle Type:</b>	Single Lever Handle
<b>Connection Inlet:</b>	15mm Compression Flexible Tails
<b>Connection Outlet:</b>	M24 5lpm Flow Limiter
<b>Number of Tap Holes:</b>	1
<b>Valve/Cartridge Type:</b>	40mm Ceramic Cartridge
<b>Plumbing System Requirements:</b>	Suitable for all plumbing systems
<b>Minimum Dynamic Pressure:</b>	0.2 Bar
<b>Maximum Dynamic Pressure:</b>	8.0 Bar
<b>Maximum Hot Water Temperature: °C</b>	65
<b>Maximum Static Pressure: (bar)</b>	10
<b>Isolation Included:</b>	No
<b>Flow Type:</b>	Single Flow

### Dimensions (measurements in mm)



### Flow Rates (l/min)

System Pressure (bar)	0.2	0.5	1	2	3	5
PM BAS C	2.3	3.4	4.8	5	5	5

## TECHNICAL DATA SHEET



# BRISTAN

D10