

SAFE ENSUITE MIRROR WITH SHELF

VR01-037

Safe Ensuite Mirror with Moulded Frame and Shelf,
Impact resistant frame & mirror glass, suitable for custodial, healthcare and
mental healthcare applications.

PRODUCT NUMBER

VR01-037 Safe Ensuite Mirror with Shelf

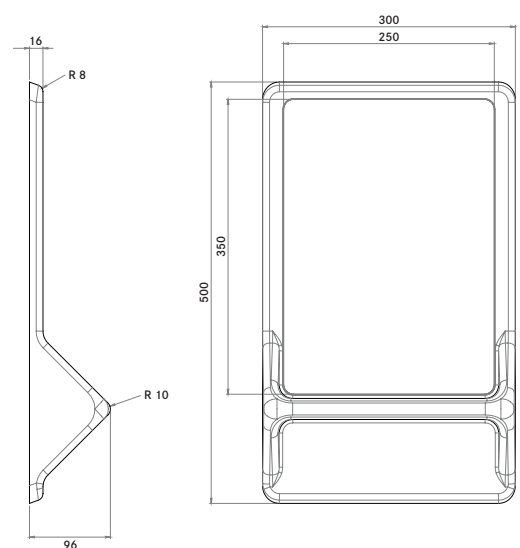
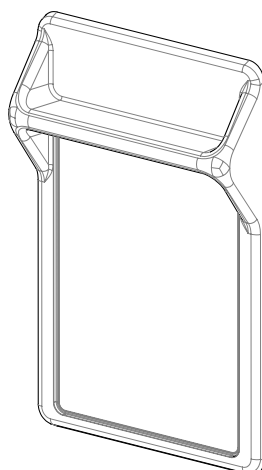
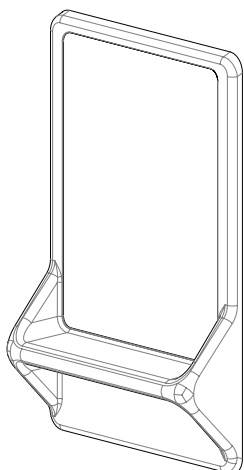
TECHNICAL DATA

Material	High Performance Composite material / Polycarbonate mirror insert
Gross weight	3.25 kg
Mirror insert dimensions	350mm (h) x 250mm (w) x 3mm (d)
Frame dimensions	500mm (h) x 300mm (w)
Type of mounting	Structural adhesive (Available from DVS)

ORIENTATION

No.1

No.2



ALL DIMENSIONS IN MM

Last updated:
2020-03-19, Dart Valley Systems