

SPECIFICATION SHEET

COLLECTION: AQUABLADE

PRODUCT CODE: AQB-RO/30/SA-C/P



DESCRIPTION:

Aquablade
round slimline single function shower head
with shower arm
easy clean
wall mounted

300mm (12") diameter
minimum operating pressure 1.0 bar MP

FINISH:

Chrome

FLOW REGULATOR:

FR-SHOWER/9-C/P

MINIMUM OPERATING PRESSURE:

(8") 0.2 bar LP (12") 1.0 bar MP



tel: 01934 744466
email: sales@vado.com
www.vado.com

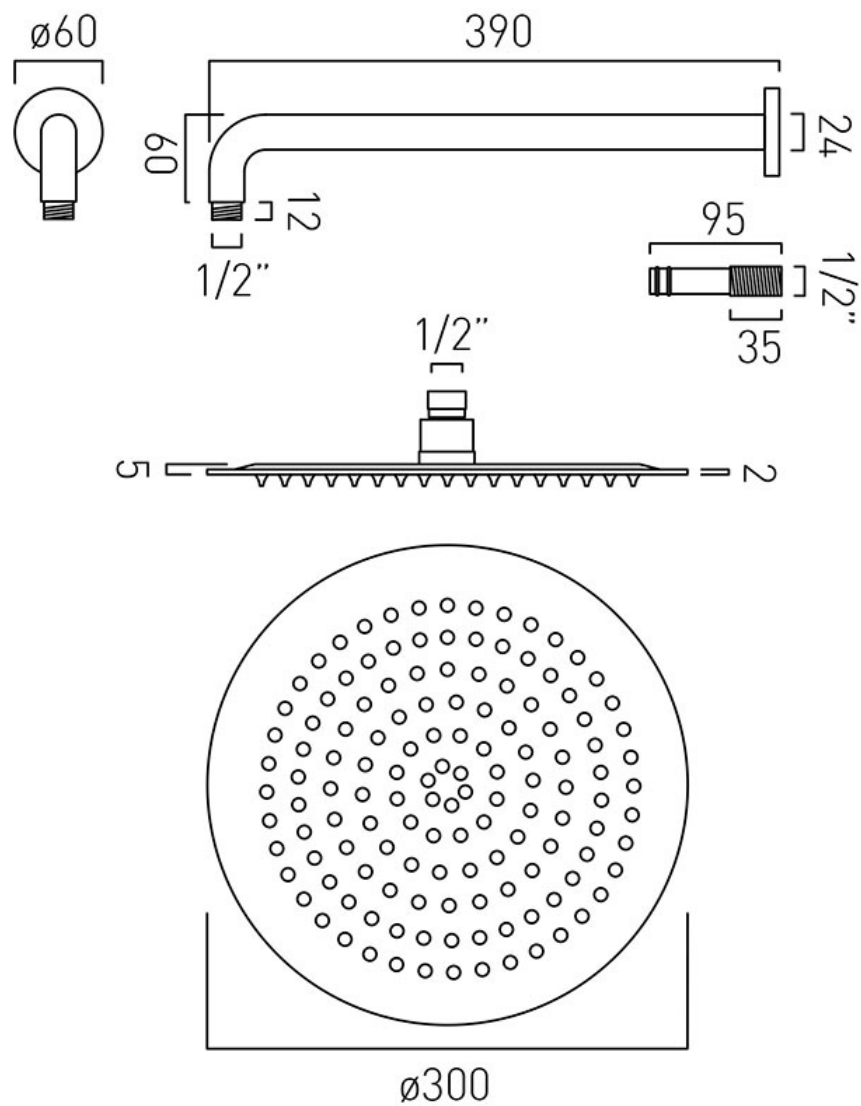
where inspiration flows
taps | showering | accessories



TECHNICAL DRAWING

COLLECTION: AQUABLADE

PRODUCT CODE: AQB-RO/30/SA-C/P



tel: 01934 744466
email: sales@vado.com
www.vado.com

where inspiration flows
taps | showering | accessories

