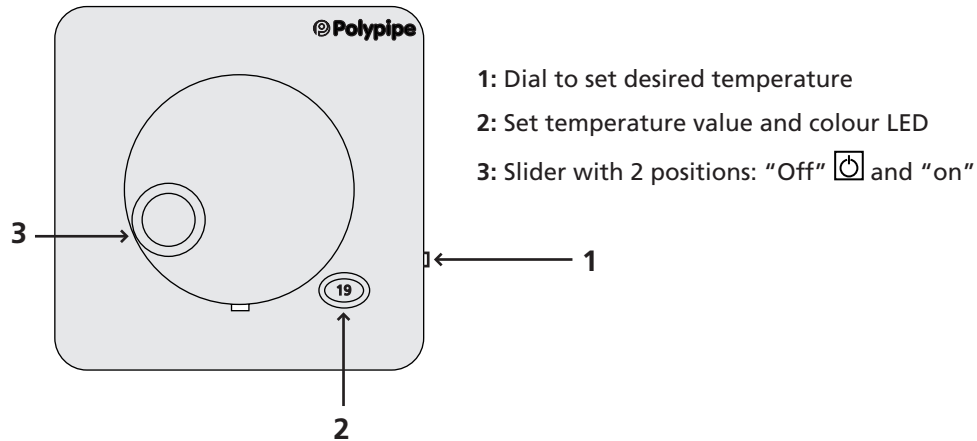


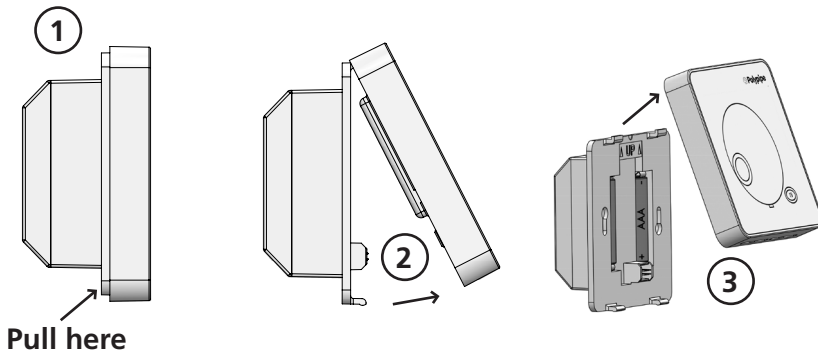
Dial Room Thermostat UFHDIALB & UFHDIALRFB




First Time Operation

Battery installation

Follow the three steps presented below to access the 2 AAA Alkaline batteries and insert them (or remove the small protection sticker if the batteries are already installed).



RF initialization (only for RF version)

Move the slider from the "Off" position  to the "on" position

The green LED will flash for 10 seconds to indicate that the unit is trying to establish communication with the RF receiver unit. Please refer to the RF receiver installer and user guide. Once this has been done simply use the thermostat dial to set the required temperature.

Working mode

"On mode"

In this mode, the set temperature will be followed all the time.

Use the dial on the front on the thermostat unit to set the required room temperature. Once the room reaches this set temperature, the unit will switch off.

"Off mode"

This mode corresponds to a frost protection. The unit will automatically switch on when the room temperature drops below 5°C. The room will be maintained at this temperature until the unit is switch back on.

LED Colour	State	Information
Green	Slow flashing	RF initialization communication
	Fast flashing	RF communication
Red	Fixed	Heating demand by using the internal sensor
	Slow flashing	Sensor error
	Fast flashing	Low batteries
Orange	Fixed	Heating demands by using remote sensor

Technical specifications

Measured Temperature Precision:	0.1°C
Environmental: Operating temperature: Shipping and storage temperature:	0°C - 40°C -10°C to +50°C
Setting temperature Range: Comfort: OFF:	5°C to 30°C by 1°C step 5°C
Regulation Characteristics:	Hysteresis of 0.5°C
Electrical Protection:	Class II - IP30
Power Supply:	2 AAA LR03 1.5V Alkaline
Operating Life:	2 years
Output:	2 points contact (free contact) Relay 5 Amps 250 Vac
Optional External Sensor:	10k ohms at 25°C